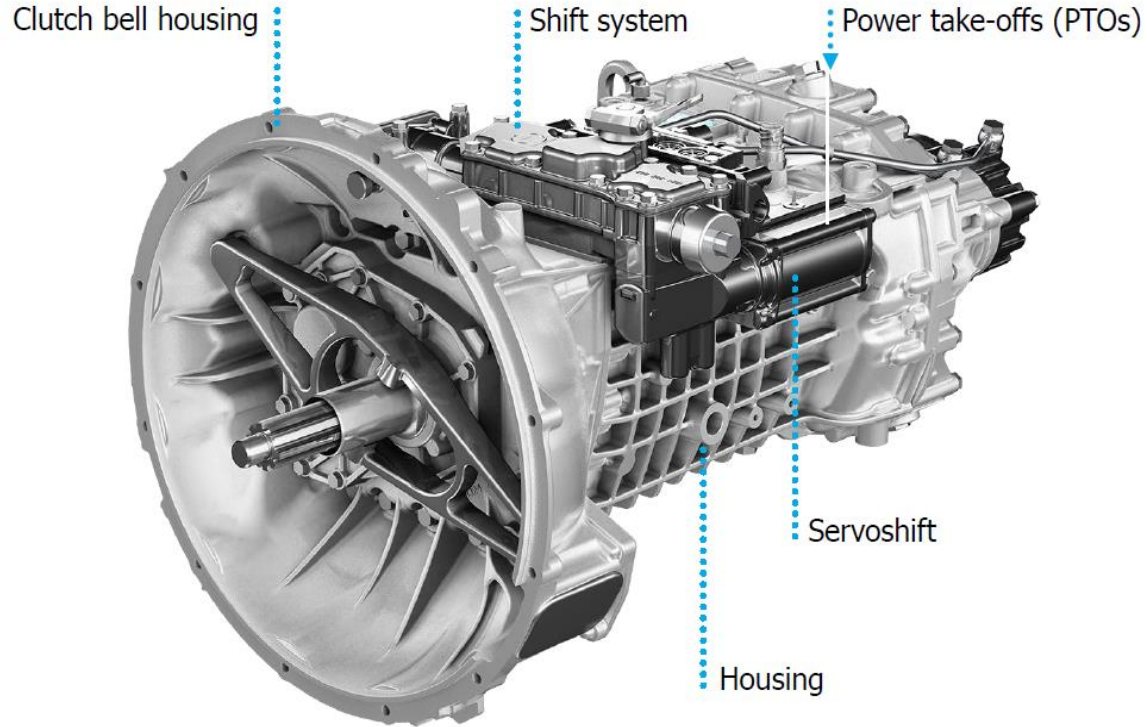


The Transmission System



Applications

Major Customers

MAN



KamAZ



Isuzu



Hino



Applications

Major Customers

Iveco



Ford



Renault

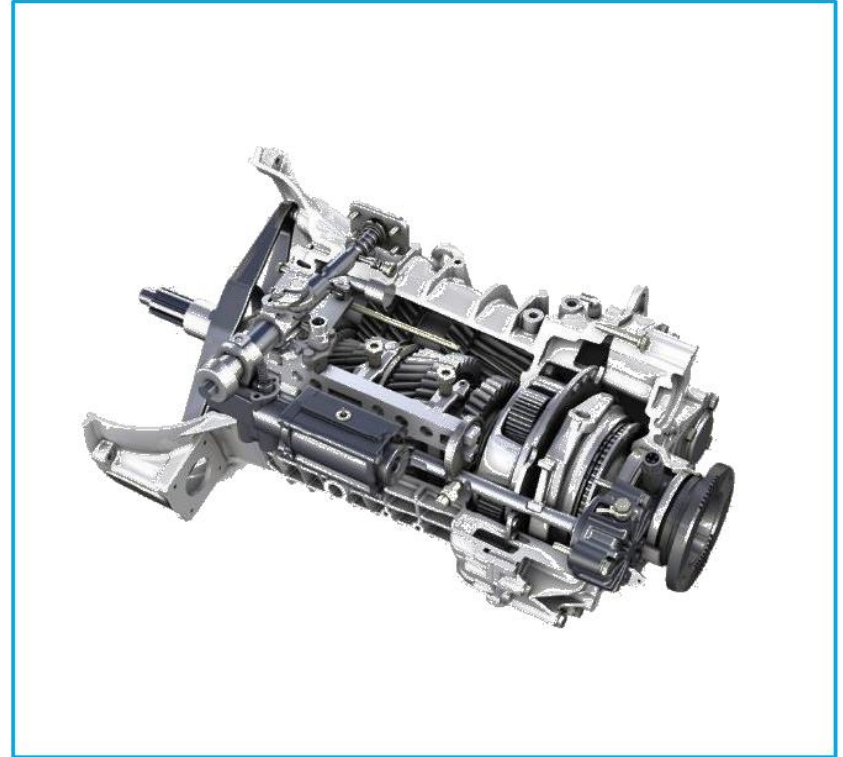


Tata

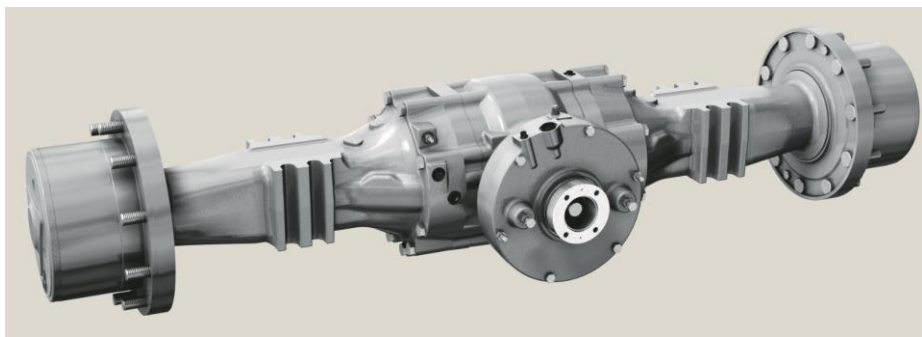
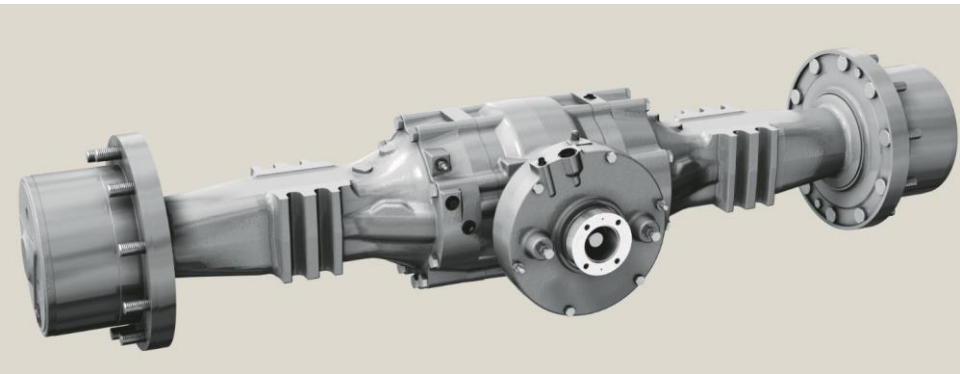


Technical Characteristics

- Modern transmission technology
- Variable adaptation to vehicle application
- Optional auxiliary units and parts

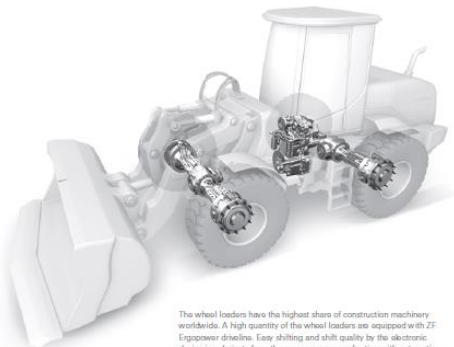


Off-highway- Axles



Applications

ZF DRIVELINE TECHNOLOGY FOR WHEEL LOADERS



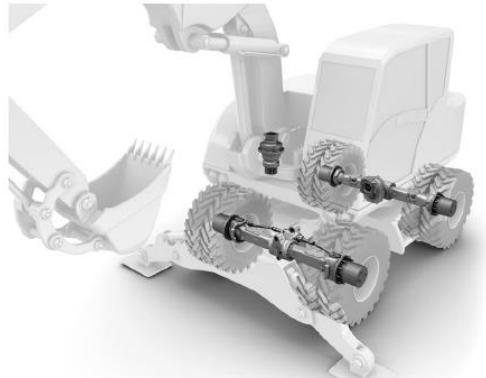
The wheel loaders have the highest share of construction machinery worldwide. A high quantity of the wheel loaders are equipped with ZF Espoover driveline. Easy shifting and shift quality by the electronic device is a derivative from the passenger car application with automatic

ZF DRIVELINE TECHNOLOGY FOR COMPACT LOADERS



For the smaller range of articulated wheel loaders up to 10 tons empty vehicle weight ZF can offer the axle range MFL 2085 in connection with the transmission AVG 185 or the new CVT transmission Z HC 85 for the adaptation of the hydrostatic engine. A steering axle for this range is also available if it is not an articulated loader. These axles in connection with a possible mounted service and parking brake (S&P) have a very compact design.

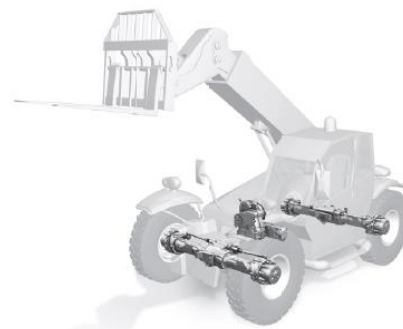
ZF DRIVELINE TECHNOLOGY FOR MOBILE EXCAVATORS



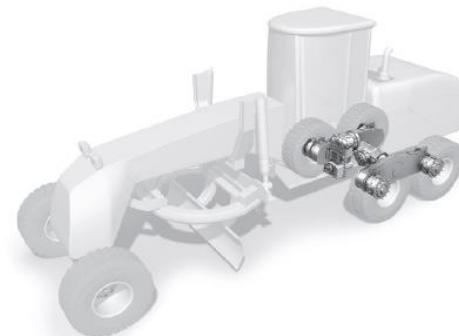
ZF DRIVELINE TECHNOLOGY FOR BACKHOE LOADERS



ZF DRIVELINE TECHNOLOGY FOR TELEHANDLERS



ZF DRIVELINE TECHNOLOGY FOR GRADERS

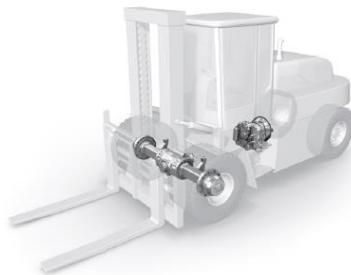


Applications

ZF DRIVELINE TECHNOLOGY FOR COMPACTORS



ZF DRIVELINE TECHNOLOGY FOR MATERIAL HANDLING VEHICLES



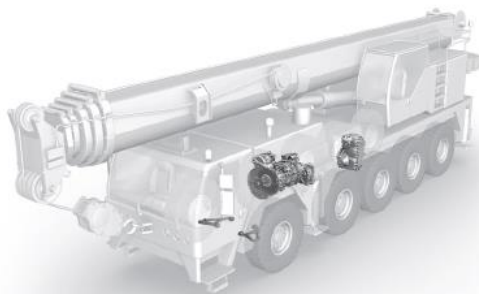
ZF DRIVELINE TECHNOLOGY FOR GROUND SUPPORT EQUIPMENT



ZF DRIVELINE TECHNOLOGY FOR TRANSPORT MIXERS



ZF DRIVELINE TECHNOLOGY FOR MOBILE CRANES



ZF DRIVELINE TECHNOLOGY FOR SPRAYERS



Coverage

